

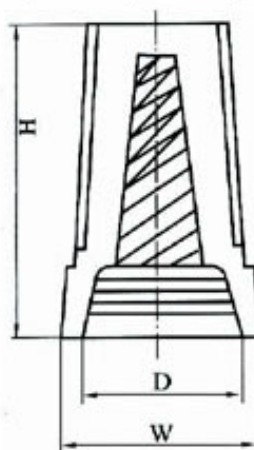
End Wire Connectors self-screw shell



Material: UL nylon 66, with spring inside.

Usage: peel wire coat, insert the wire in, then tighten.

Item.NO.	height (mm)	width (mm)	内径D (mm)	suitable wire	packing
G-P71	15	8.7	6.5	min #20x1+#22x1 max #16x2	100PCS
G-P72	18	10.0	7.5	min #20x3 max #16x3	
G-P73	23	11.2	9.5	min #20x3 max #16x3+#18x1	
G-P74	24.2	13.6	10.8	min #14x1+#18x1 max #14x4+#18x1	
G-P75	27.8	16.1	12.7	min #14x2 max #10x2+#12x2	

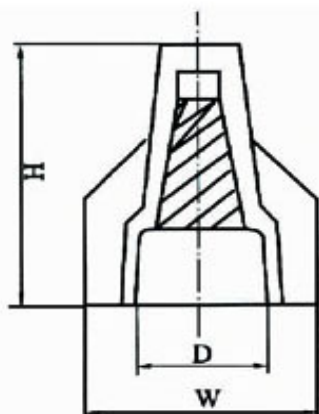


End Wire Connectors Double Wings Screw shell

Material: UL nylon 66, with spring inside.

Usage: peel wire coat, insert the wire in, then tighten.

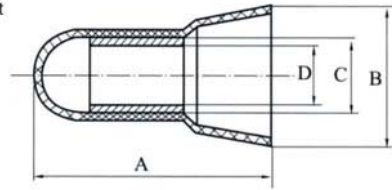
Item.NO.	height (mm)	width (mm)	内径D (mm)	suitable wire	packing
G-P1	22.0	19.0	9.8	min #18x2 max #12x3	100PCS
G-P2	29.0	22.0	12.5	min #14x2 max #10x4	
G-P3	33.2	27.0	14.0	min #12x3 max #10x4	
G-P4	39.6	30.5	17.5	min #12x3 max #6x1+#8x2	



CLOSE-END WIRE CONNETTOR



- ◇ Shell material: Nylon 66,94V-2.
- ◇ Usage: Peel the coat of wire,then insert ot tube,use pincers to fix them.
- ◇ Feature: Nylon shell,long copper tube, easy to conduct electricity and hold wire tightly.



ITEM NO.	A(mm)	W			SUITABLE WIRES	
		B(mm)	C(mm)	D(mm)	(mm)	AWG
CE-1	17.8	7.2	3.6	2.5	1.25	22-16
CE-2	21.0	8.2	4.0	2.9	2	16-14
CE-5	22.5	9.0	4.8	3.9	5.5	12-10
CE-8	25.0	10.0	5.6	4.5	8	8
CE-10	24.2	11.0	6.5	5.4	10	8-6
CE-13	25.6	11.8	7.5	6.0	13	6
CE-16	29.5	13.5	9.3	7.5	16	4