

## JLT & T/J Wintersweet Type Copper Jointing Clamp

### Applications

It is suitable for complex-branching connection of different section aluminium wire, it is made of aluminium alloy by die cast. Combined channel branching earth rod of copper clamp and splice are made of Brass H62 by die cast.

It is suitable for the sequence and transportation of all kinds of conductor in electric netting, made of copper.

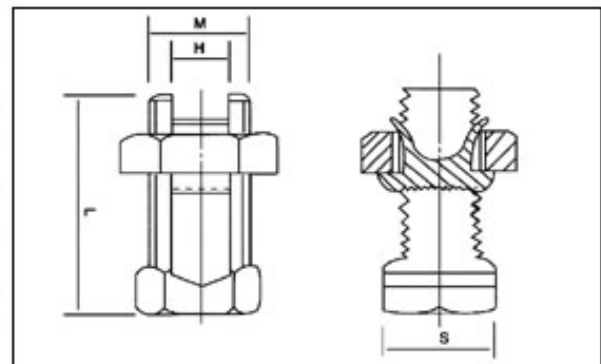


WCJC



JTL

Type	L	M	H	S
TJ-16	20	M17 × 2.5	6	18
TJ-25	27	M19 × 2.5	7	20
TJ-35	35	M21 × 2.5	7	22
TJ-50-70	42	M23 × 2.5	11	24
TJ-90-120	45	M25 × 2.5	14	26
TJ-150-185	60	M29 × 2.5	17	30
TJ-200-240	62,72	M31 × 2.5	20	32

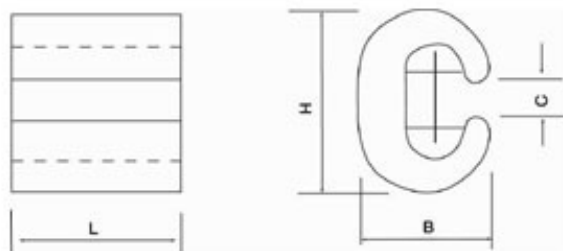


## CCA Shape Copper Wire Clamp



Application:

It is suitable for the connection of copper splicing wire, made of C-shaped copper material.



Type	Conductor (mm <sup>2</sup> )	Dimensions(mm)			
		H	B	L	C
CCA-1	25-35	25	15	22	10
CCA-2	50-70	34	21.5	25	11
CCA-3	95-95	41	25	29	14.5
CCA-4	120-120	47.5	29	30	16

Type	H1	H2	W	L	C	T	wire
CCT-10	9.5	6.3	6.2	12	4	1.6	7.5-14
CCT-16	11.8	7.8	7.8	13	5	2	14.5-16
CCT-20	12.8	8.6	9.7	13	5.4	2.9	16.5-20
CCT-26	14.7	10.2	10.0	16	6.5	3.2	21-26
CCT-44	19	13.4	14.4	20	8.5	4	27-44
CCT-60	21	15.4	15.4	22	9.7	4	45-60
CCT-76	24.4	17.3	17.6	22	10.8	5	61-76
CCT-98	27.8	20.8	18.8	25	12.8	5	77-98
CCT-122	29.8	22.1	21.2	26	13.5	5.5	99-122
CCT-154	34	25.7	24.4	28	17	6	123-154
CCT-190	37	28.5	25.4	35	17.4	6	155-190
CCT-240	40	30.2	28.5	40	19	7	191-240
CCT-288	44.5	34.7	34.1	45	22.3	7	241-288
CCT-365	47.5	37.7	34	50	24.8	7	289-365
CCT-450	57	42.5	41	60	28	10	366-450
CCT-560	62	46	44	65	31	11	451-560
CCT-700	68	54	49.5	70	44	12	561-700